



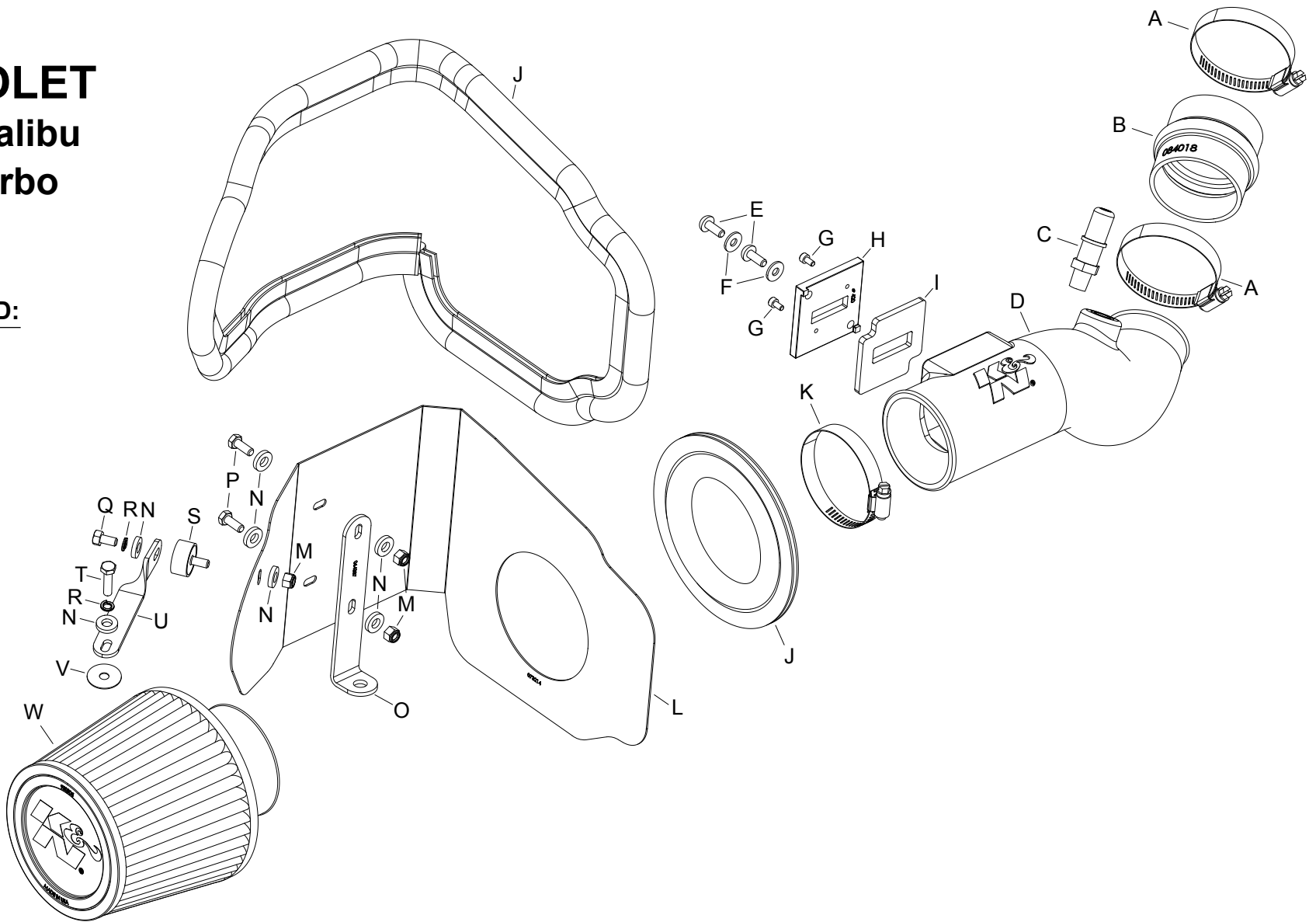
INTAKE SYSTEMS FOR VEHICLES LISTED ARE 50 STATE LEGAL. SEE KNFILTERS.COM FOR CARB STATUS ON EACH PART FOR A SPECIFIC VEHICLE.

INSTALLATION INSTRUCTIONS

57-3091
CHEVROLET
2013-15 Malibu
L4-2.0L Turbo

TOOLS NEEDED:

- flat blade screw driver
- ratchet
- extension
- 10mm socket
- 15mm socket
- 10mm wrench
- 3/4 wrench
- pliers
- 3mm allen
- 4mm allen
- t15 torx bit



PARTS LIST:

Description	Qty.	Part #	Description	Qty.	Part #	Description	Qty.	Part #
A HOSE CLAMP #40	2	08554	I GASKET; 3/16 PORON	1	09069	Q BOLT; M6 X 1 X 12MM	1	07727
B HOSE; HUMP 2.5"ID X 2.5"L	1	084018	J EDGE TRIM (61")	1	102492A	R WASHER, M6 SPLIT LOCK ZINC	2	1-3025
C VENT; 1/4 NPT TO QUICK DIS.	1	082628	K HOSE CLAMP #52	1	08610	S STUD; RUBBER MNT, M/F, 1/2"L	1	070228
D INTAKE TUBE (KM)	1	087309A	L HEAT SHIELD	1	073214	T BOLT; M6-1.00 X 25MM	1	07858
E BOLT; M6 X 1 X 16MM	2	07730	M NUT; 6MM NYLOCK	3	07512	U BRACKET; SHORT	1	070772A
F WASHER; 6MM FLAT	2	08269	N WASHER; 1/4"ID X 5/8"OD	7	08275	V WASHER; 1"D X 1/4 HOLE	1	08160
G BOLT; M4 - .7 X 8MM, A/H CAP	2	07733	O BRACKET; "L", TB/PC	1	064337	W AIR FILTER	1	RU-5176
H ADAPTOR; #420, NYLON 6/6 GF	1	21515-1	P BOLT; M6-1 X 16MM	2	07812			

NOTE: FAILURE TO FOLLOW INSTALLATION INSTRUCTIONS AND NOT USING THE PROVIDED HARDWARE MAY DAMAGE THE INTAKE TUBE, THROTTLE BODY AND ENGINE.

TO START:

1. Turn off the ignition and disconnect the negative battery cable.
NOTE: Disconnecting the negative battery cable erases pre-programmed electronic memories. Write down all memory settings before disconnecting the negative battery cable. Some radios will require an anti-theft code to be entered after the battery is reconnected. The anti-theft code is typically supplied with your owner's manual. In the event your vehicles anti-theft code cannot be recovered, contact an authorized dealership to obtain your vehicles anti-theft code.



2. Disconnect mass air sensor electrical connector.



3. Loosen the hose clamp securing the intake tube to the turbo inlet.



4. Loosen the hose clamp securing the intake tube to the air filter housing. Disconnect crankcase vent line from intake tube and remove tube from vehicle, then gently pull up air box assembly disengaging from grommets and remove from vehicle.
NOTE: K&N Engineering, Inc., recommends that customers do not discard factory air intake.



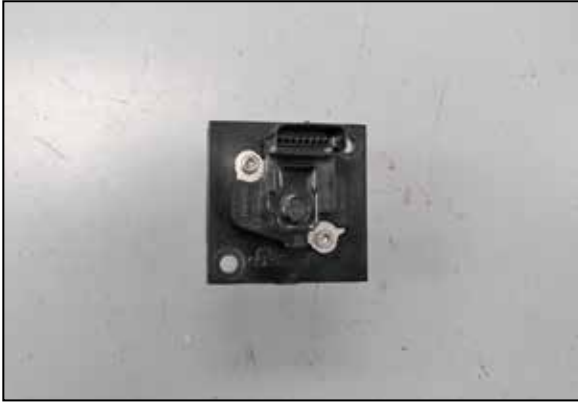
5. Install the provided 1/4" NPT quick disconnect fitting onto the K&N® intake tube.
NOTE: Plastic NPT fittings are easy to cross thread. Install the vent fitting "hand" tight, then turn it two complete turns with a wrench.



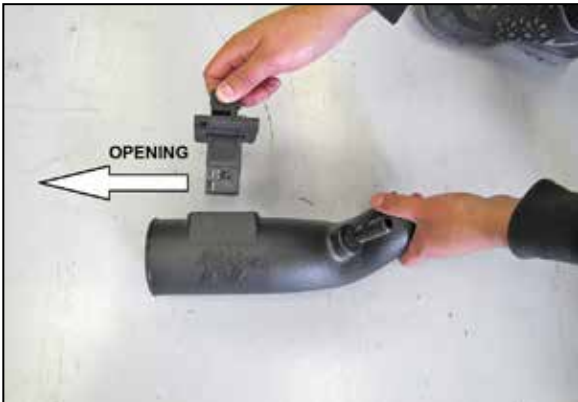
6. Install provided gasket onto K&N® mass air sensor adapter.



7. Remove the mass air sensor from the factory air box.



8. Install factory mass air sensor onto the K&N® mass air adapter assembly and secure with the provided hardware.

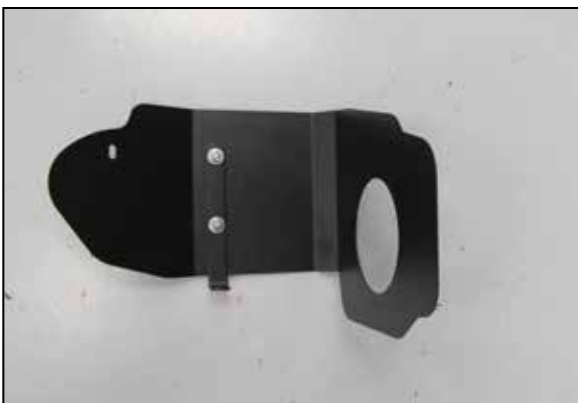


9. Install the mass air sensor assembly into the K&N® intake tube and secure with the provided hardware.

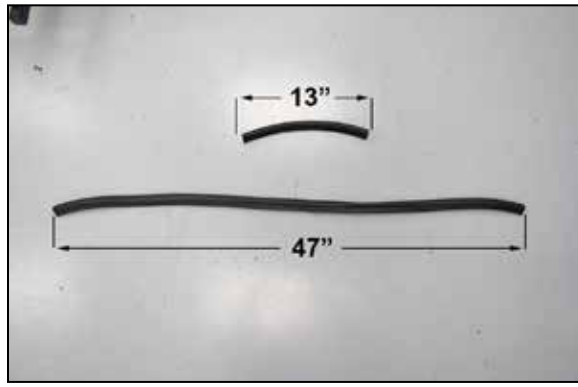
NOTE: Opening of mass air sensor should face the large/filter end of the tube.



10. Install the provided coupling hose (084018) onto the turbo and secure with provided hose clamp and then install K&N® intake tube assembly into the coupler at turbo and secure with provided hose clamp. Do not completely tighten hose clamp at this time.



11. Install heat shield bracket (064337) onto the heat shield with provided hardware.



12. Cut the provided edge trim to 13" and 47" lengths.



13. Install long 37" edge trim onto heat shield assembly.



14. Install short 13" edge trim into heat shield opening.



15. Install rubber mounted stud onto bracket (070772) with provided hardware.



16. Install bracket assembly onto heat shield assembly with provided hardware.



17. Remove bolts from inner fender and motor mount.

NOTE: motor mount bolt will be reused in a later step.



18. Install heat shield into vehicle inserting K&N® intake tube assembly through heat shield opening. Using provided hardware secure bracket (070772) to inner fender. Secure remaining bracket onto motor mount reusing motor mount bolt removed from an earlier step. Align intake tube with heat shield and tighten provided hose clamp.



19. Connect crankcase vent line onto quick connect fitting on K&N® intake tube.



20. Reconnect mass air sensor electrical connector onto mass air sensor.



21. Install K&N® air filter secure with provided hose clamp.

NOTE: Drycharger® air filter wrap; part # RX-4990DK is available to purchase separately. To learn more about Drycharger® filter wraps or look up color availability please visit <http://www.knfilters.com>.



22. Reconnect the vehicle's negative battery cable. Double check to make sure everything is tight and properly positioned before starting the vehicle.

23. The C.A.R.B. exemption sticker, (attached), must be visible under the hood so that an emissions inspector can see it when the vehicle is required to be tested for emissions. California requires testing every two years, other states may vary.

24. It will be necessary for all K&N® high flow intake systems to be checked periodically for realignment, clearance and tightening of all connections. Failure to follow the above instructions or proper maintenance may void warranty.

ROAD TESTING:

1. Start the engine with the transmission in neutral or park, and the parking brake engaged. Listen for air leaks or odd noises. For air leaks secure hoses and connections. For odd noises, find cause and repair before proceeding. This kit will function identically to the factory system except for being louder and much more responsive.

2. Test drive the vehicle. Listen for odd noises or rattles and fix as necessary.

3. If road test is fine, you can now enjoy the added power and performance from your kit.

4. K&N Engineering, Inc., requires cleaning the intake system's air filter element every 100,000 miles. When used in dusty or off-road environments, our filters will require cleaning more often. We recommend that you visually inspect your filter once every 25,000 miles to determine if the screen is still visible. When the screen is no longer visible some place on the filter element, it is time to clean it. To clean and re-oil, purchase our filter Recharger® service kit, part number 99-5050 or 99-5000 and follow the easy instructions.

INTAKE SYSTEMS FOR VEHICLES LISTED ARE 50 STATE LEGAL. SEE KNFILTERS.COM FOR CARB STATUS ON EACH PART FOR A SPECIFIC VEHICLE.